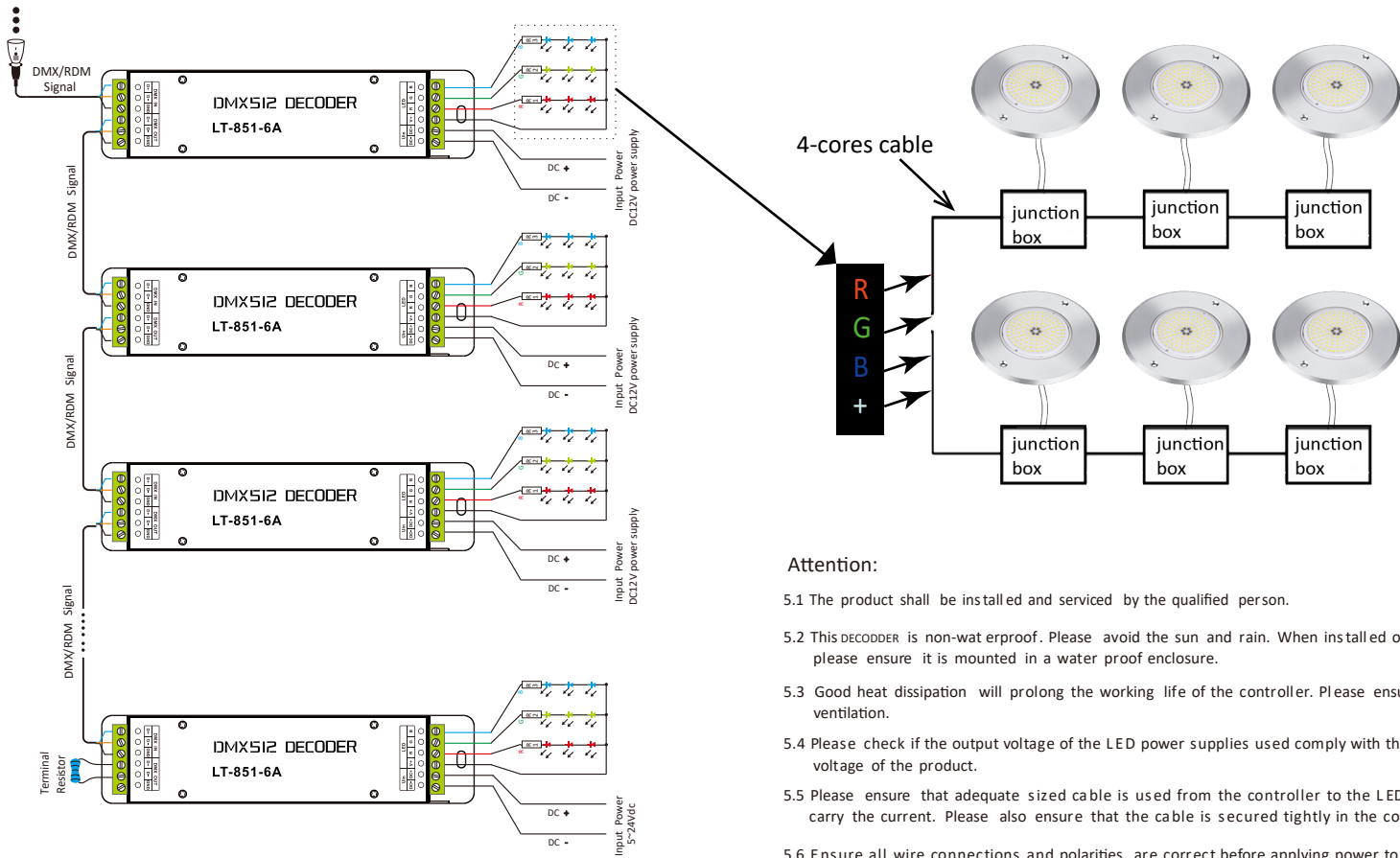


DMX/RDM Decoder

Wiring Diagram:



4-cores cable

Attention:

- 5.1 The product shall be installed and serviced by the qualified person.
- 5.2 This DECODER is non-waterproof. Please avoid the sun and rain. When installed outdoors please ensure it is mounted in a water proof enclosure.
- 5.3 Good heat dissipation will prolong the working life of the controller. Please ensure good ventilation.
- 5.4 Please check if the output voltage of the LED power supplies used comply with the working voltage of the product.
- 5.5 Please ensure that adequate sized cable is used from the controller to the LED lights to carry the current. Please also ensure that the cable is secured tightly in the connector.
- 5.6 Ensure all wire connections and polarities are correct before applying power to avoid any damages to the LED lights.
- 5.7 If a fault occurs please return the product to your supplier. Do not attempt to fix this product by yourself.

- * An amplifier is needed when more than 32 decoders are connected, signal amplification should not be more than 5 times continuously.
- * If the recoil effect occurs because of longer signal line or bad line quality, please try to connect 0.25W 90-120Ω terminal resistor at the end of each line.