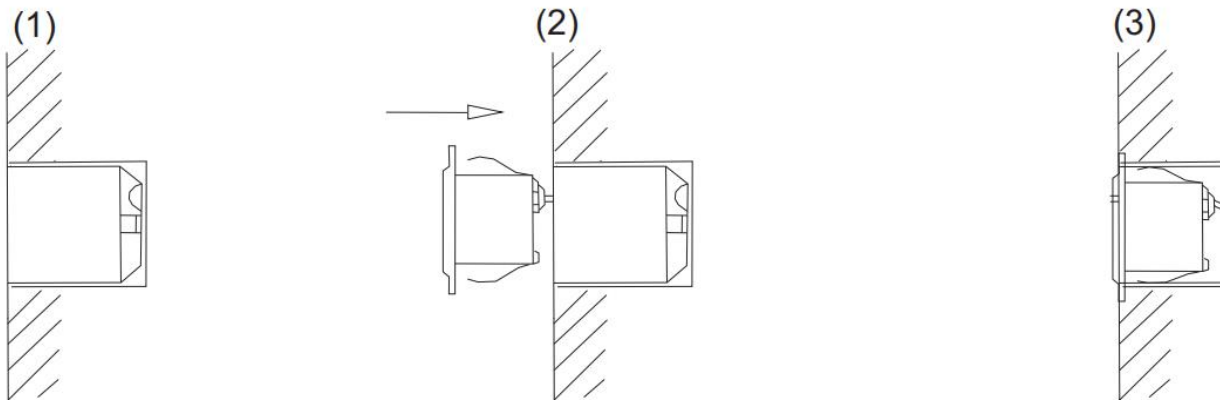


IP65 LED Wall Light Installation Instructions

Installation steps

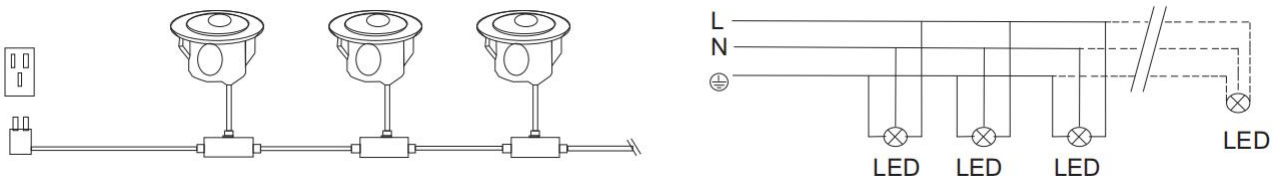


1. Drill holes at the installation site according to the embedded parts, and embed the embedded parts into the wall, keeping the edge of the embedded parts and the wall at the same level.
2. Connect the luminaire to the cable, leaving enough length for future maintenance.
3. Put the lamp into the embedded part and tighten the screws, light on and test.

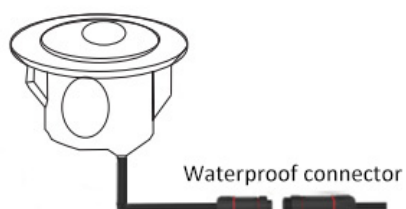
Note:

1. Use the correct input voltage;
2. Cut off the power supply before installation and maintenance;
3. Do not disassemble the lamps at will, otherwise the lamps will not be waterproof;
4. The waterproof level of the cable interface must reach IP65 or above;
5. Do not install in very humid areas or near cables, water or gas pipes.

Connection (AC100-240V)



Waterproof treatment (don't put joint part in water)



*** It is recommended to use IP65 or above waterproof connector for the cable interface, please make sure that the thread is tightened to prevent water from entering the connector due to misoperation.

IP65 LED Wall Light Installation Instructions

Caution:

1. Only professional people to make installation, pls check the fixture well before installation.
2. Pls install the lights according to this datasheet carefully, screw the light well and connect the wire correctly.

Warning:

- *Neglect on action of the above treatment will lead to failure of waterproof and proper working of the lights!!
- *Make sure the ground connection well avoid electric shock, due to metal housing.

Note: The above instruction are subject to update or improved without notice. Pls turn to our staff for further details ! Thanks for your long term support !