



JP160-6W-AC

JP160-10W-AC

## Split type Pool light /316L+ABS Ultra-thin 7.5mm(AC series)



JP230-18W-AC  
JP230-25W-AC  
JP230-35W-AC

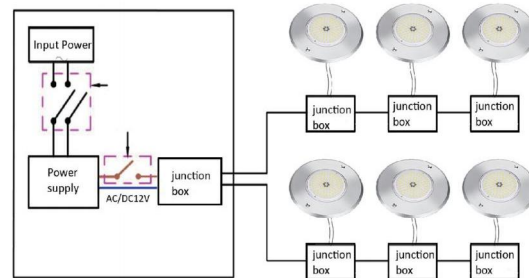


JP280-25W-AC  
JP280-35W-AC  
JP280-42W-AC

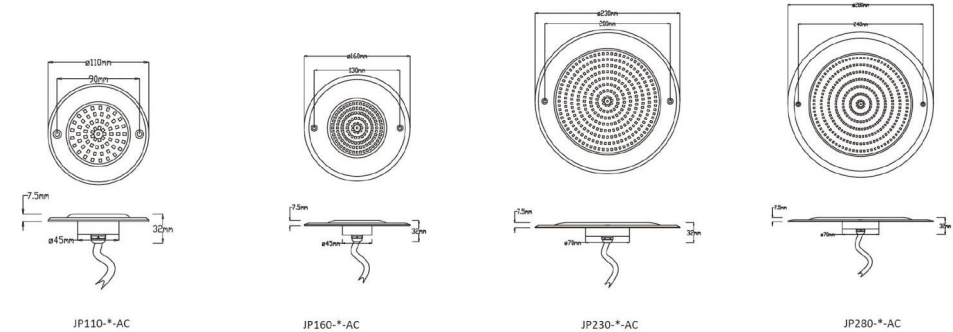
### Material specifications

Housing	PC
Front Cover	Stainless steel 316L
LED	High bright SMD LED
CRI	Ra>80
IP Grade	IP68
Working Environment	-20°C~+40°C
Power cable	2 meters H05RN-F 2 wires (single color)/ 2 wires (RGB)/(RGBW)
Control mode	<ul style="list-style-type: none"> <li>• Switch control</li> <li>• Remote control(RF,IR)</li> <li>• APP,DALI,0-10V ...</li> </ul>

### Connection Diagram



Outer Dimensions Unit:mm



side view

back view



Customized color box



18Keys remote(RGB/RGBW Optional accessory)

Item No.	LED Qty (pcs)	Power	Input Voltage	Emitting Color	Beam Angle	Material
JP110-6W-AC	SMD 2835 63pcs	6W	AC12V	Warm White Cool White Red Green Blue RGB RGBW	120°	316SS+PC
JP160-10W-AC	SMD 2835 108pcs	10W				
JP230-18W-AC	SMD 2835 252pcs	18W				
JP230-25W-AC	SMD 2835 324pcs	25W				
JP230-35W-AC	SMD 2835 432pcs	35W				
JP280-25W-AC	SMD 2835 324pcs	25W				
JP280-35W-AC	SMD 2835 432pcs	35W				
JP280-42W-AC	SMD 2835 540pcs	42W				