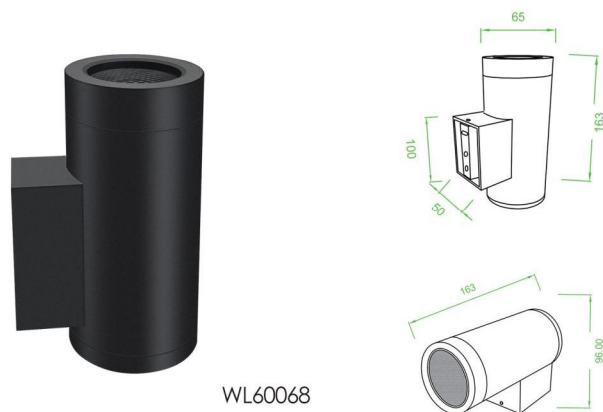
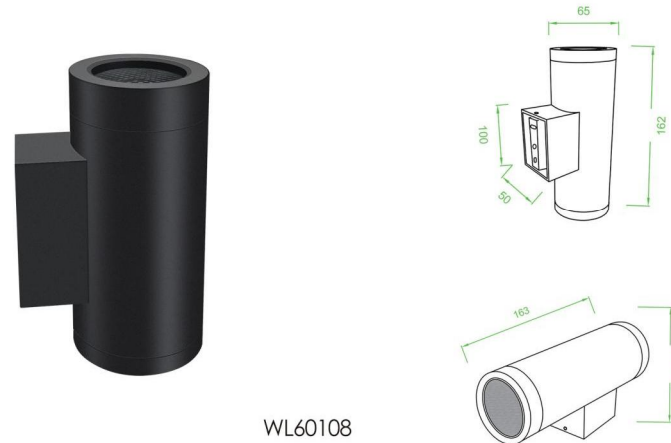


▶ Wall mounted wall washer/IP65



WL60068

▶ Up/Down wall washer/IP65



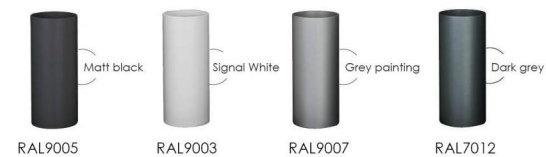
WL60108

Material specifications

Housing:	Extruded aluminum alloy
Glass:	Tempered glass.T=3mm
Lens:	Optical lens, efficiency≥85%
Cable gland:	Copper and nickel coated
Gasket:	Tooling shaped seal
LED:	CREE COB LED
Operating temperature:	-20°C~40°C
Power cable:	H05RN-F 2x0.75mm²L=0.5m(low voltage) H05RN-F 3x0.75mm²L=0.5m(high voltage)



Housing color option



Item No.	Light source	Lens beam angle (°)	Consumption (watt)	Input Voltage (V)	Ik rate
WL60068	1*6W CREE COB	12°/25°/38°/60°	6W	DC12V/DC24V AC220V/AC240V	05
WL60108	2*5W CREE COB	12°/25°/38°/60°	10W	DC12V/DC24V AC220V/AC240V	05

